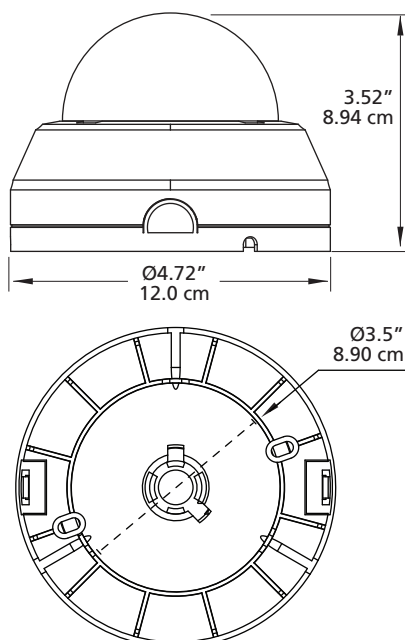


# SDA Indoor IR Dome

Standard definition indoor analog dome with IR and WDR



For customers who want to incorporate (or replace their existing) analog cameras, the **SDA Indoor IR Dome** from March Networks<sup>®</sup> provides great coverage at a low price. This camera is the perfect choice for facilities requiring an analog camera that delivers clear images and accurate color reproduction in a variety of lighting conditions, including bright backlight and low-light environments.



## Key Benefits

- ▼ **See color in low-light environments.** The camera's excellent low-light sensitivity lets you discern colors — even in near dark conditions — before the IR technology kicks in.
- ▼ **Integrated IR.** The built-in LEDs provide uniform illumination in total darkness, which means you will see high-quality, low-noise video from over 100 feet (30 meters) away.
- ▼ **Settings optimized out of the box.** The camera's default settings are ideal for indoor ambient lighting environments; no adjustment required.
- ▼ **Icon-driven on-screen display.** For applications that require some fine-tuning, it's easy to make adjustments to the camera image via the easy-to-use on-screen display.
- ▼ **Vivid, accurate color.** The camera's color reproduction quality is superior as compared to that of some legacy analog cameras.
- ▼ **Ideal for ceiling tile installation.** Because the camera is so lightweight (just 0.66 lb), it can be safely installed, even on older ceiling tiles (nuts and washers included in box).

*This lightweight dome — less than one pound — can be installed on any ceiling tile and lets you see in complete darkness from 100 feet away.*

# SDA Indoor IR Dome

## CAMERA

Image Sensor	1/3" Panasonic 1.3MP CMOS
Signal System	NTSC/PAL
Video Output	1.0Vp-p, 75Ω Composite
Wide Dynamic Range (WDR)	> 120dB
Active Pixel Count	1280 (H) x 1024 (V)
Resolution	800 (H) x 650 (V) TV Lines
Lens	3.6mm fixed lens
Horizontal Angle of View	77.1°
Minimum Illumination	Color: 0.41 Lux (F2.0, 30 IRE) B/W (TDN): 0 Lux (F2.0, 30 IRE)
Shutter Time	50 (60) ~ 60,000s
Synchronization	Internal
S/N Ratio	≥55dB
White Balance	ATW, AWB, Push, Manual
AGC	0 - 20
Adjustment Range	360° pan, 70° tilt
IR Wavelength	850nm
IR Illumination Distance	100 feet (30 m)
Number of LEDs	24

## KEY FUNCTIONS

Backlight	OFF / HME / BLC / WDR
3D DNR	OFF / LOW / MIDDLE / HIGH
De-Fog	OFF / ON
Sense-Up	OFF / x2 – x64
Mirror/Flip	Off / ON
Intelligent Motion Detection	Digital Quick Zoom
Enhanced Day & Night Function	LED operation point selection, external LED ON/OFF control
Privacy Zones	16 programmable zones
Motion Detection	4 programmable zones

## CONNECTORS

Input Power	12 VDC barrel mini-plug
Composite Video	BNC

## ELECTRICAL

Voltage	12 VDC
Power Consumption	LED OFF: 1.74W, 145mA LED ON: 3.54W, 295mA

## PHYSICAL

Construction	Plastic with polycarbonate bubble
Dimensions (H x D)	3.5 x 4.7 in (89.44 x 120 mm)
Weight	0.66 lb (300 g)
Operating Conditions	-4° to 122° F (-20° to 50° C)
Humidity	≤90% RH, non-condensing
Certification Model	C3301A

## REGULATORY

Emissions	EN55032, FCC part 15
Immunity	EN50130-4

## ACCESSORIES

Included	L wrench, screws, wall anchors, nuts and washers (for drop ceiling installation), video setup cable
----------	---

## ORDERING INFORMATION

<b>CAMERA</b>	
35482-101	SDA Indoor IR Dome

## MOUNTING OPTIONS

